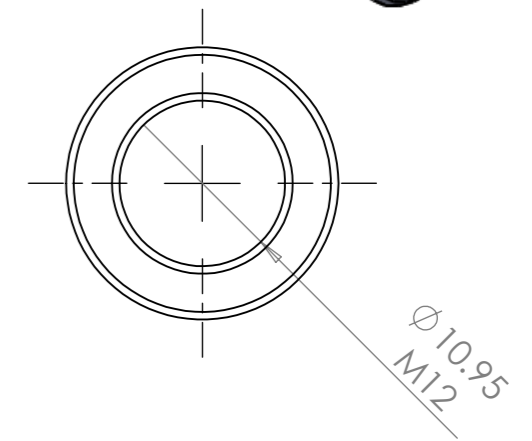
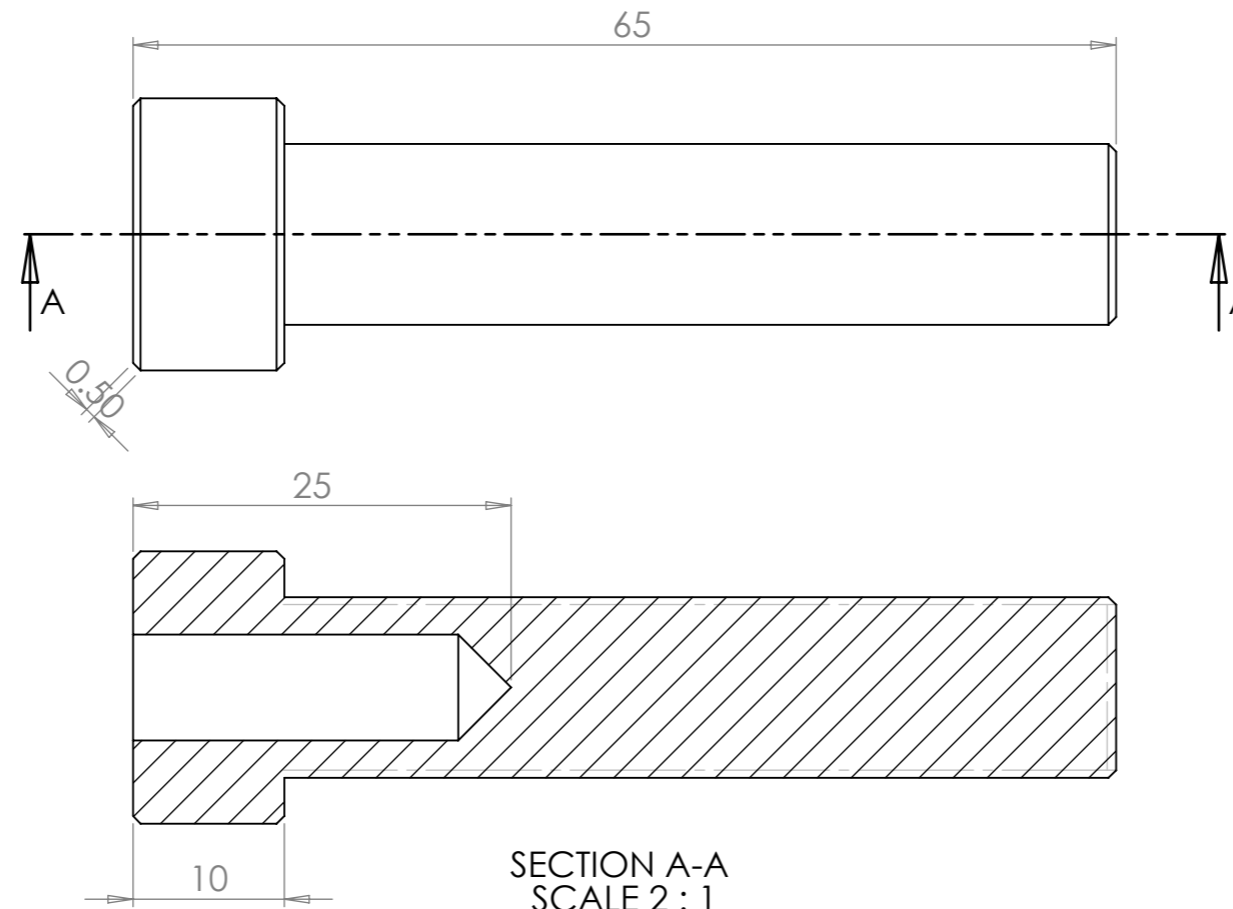
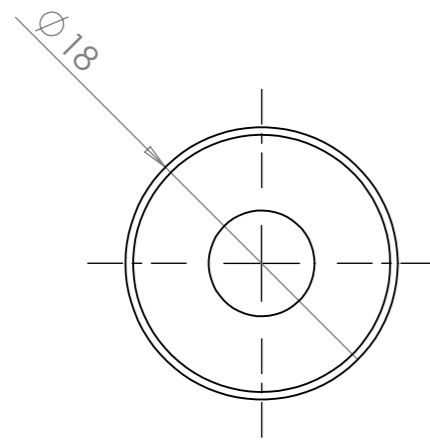
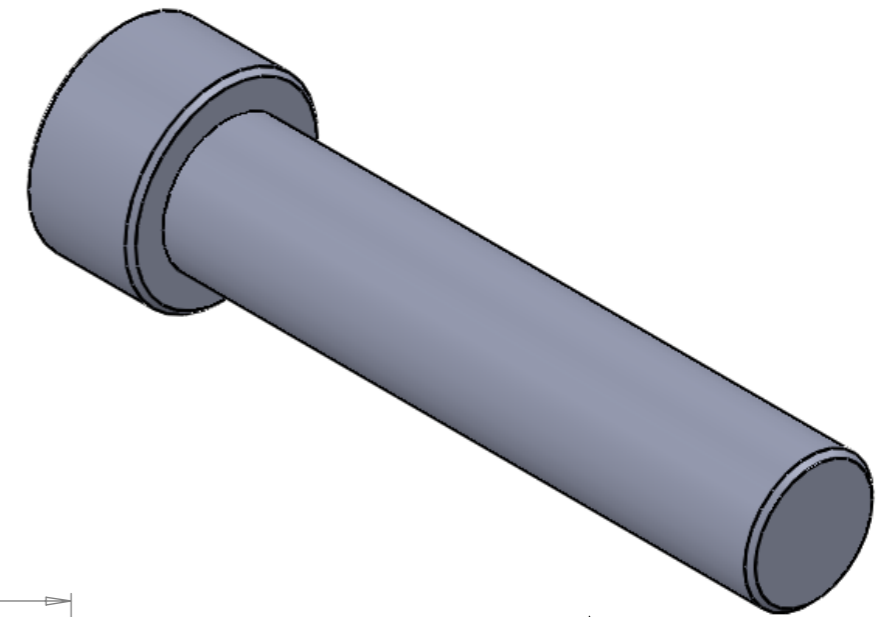


ITEM NO.	PART NUMBER	DESCRIPTION	MATERIAL	QTY.
1	Lead screw1	8-20mm round bar	BDMS	1



SECTION A-A  
SCALE 2 : 1

UNLESS OTHERWISE SPECIFIED: DIMENSIONS ARE IN MILLIMETERS SURFACE FINISH: -/+0.2 TOLERANCES: LINEAR: ANGULAR:				FINISH: <b>Oil Finish</b>		DEBUR AND BREAK SHARP EDGES		DO NOT SCALE DRAWING		REVISION	
DRAWN				NAME		SIGNATURE		DATE		TITLE: <b>Lead screw1</b>	
CHK'D											
APPV'D											
MFG											
Q.A								MATERIAL: <b>BDMS</b>		DWG NO.	
								WEIGHT:		SCALE:1:1	
										SHEET 1 OF 1	
										A3	