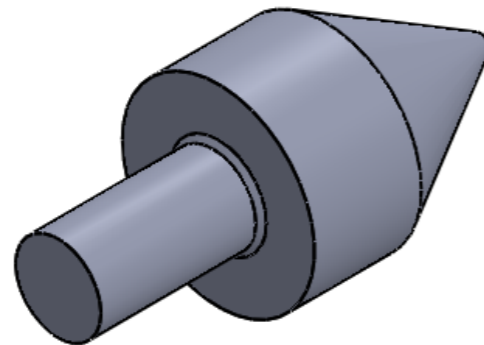
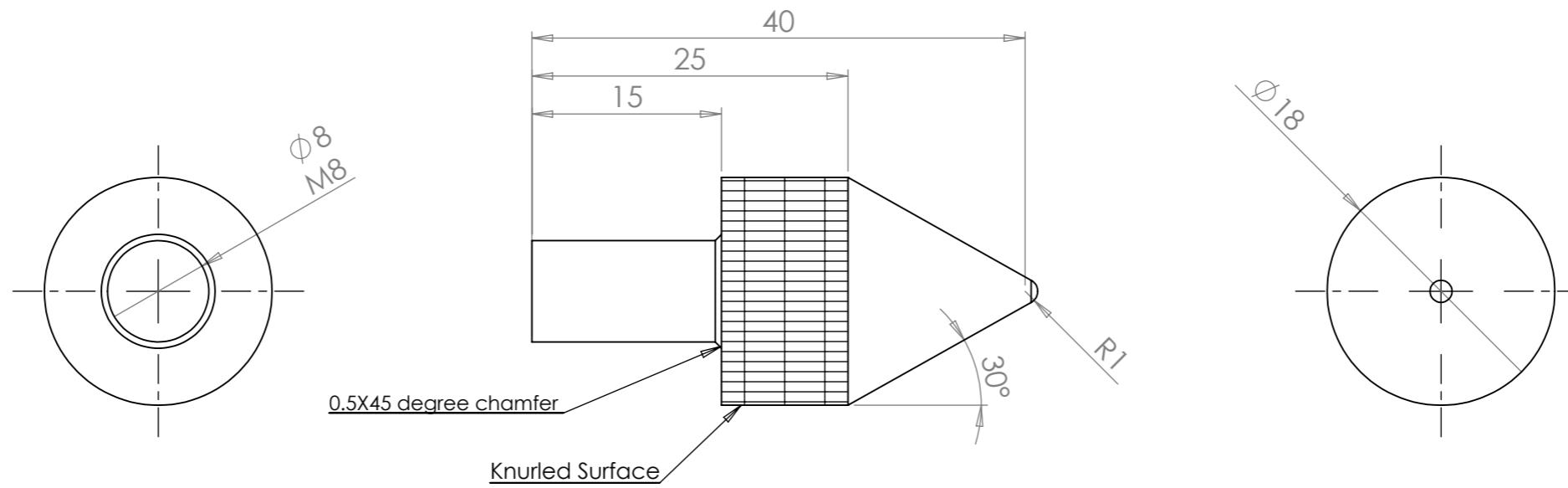
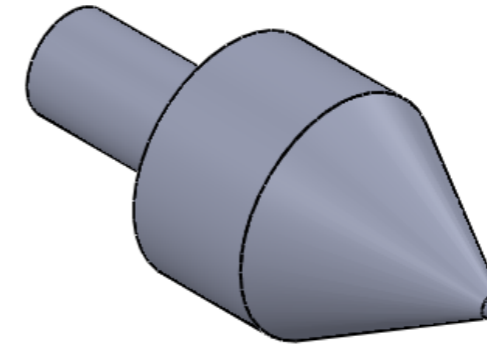


ITEM NO.	PART NUMBER	DESCRIPTION	MATERIAL	QTY.
2	2	End cap	Brass, Aluminium, Nylon	1

3X Parts made,
one in each
material listed.



UNLESS OTHERWISE SPECIFIED: DIMENSIONS ARE IN MILLIMETERS SURFACE FINISH: TOLERANCES: ± 0.2 LINEAR: ANGULAR:				FINISH: N7 1.6 um		DEBUR AND BREAK SHARP EDGES		DO NOT SCALE DRAWING		REVISION	
DRAWN				NAME				SIGNATURE			
CHK'D				DATE				TITLE: End cap			
APPV'D				MATERIAL: Brass, Aluminium, Nylon				DWG NO.			
MFG				WEIGHT:				SCALE:2:1			
Q.A				SHEET 1 OF 1				A3			