

Unit 10: Computer Aided Design in engineering

Bench vice 2018

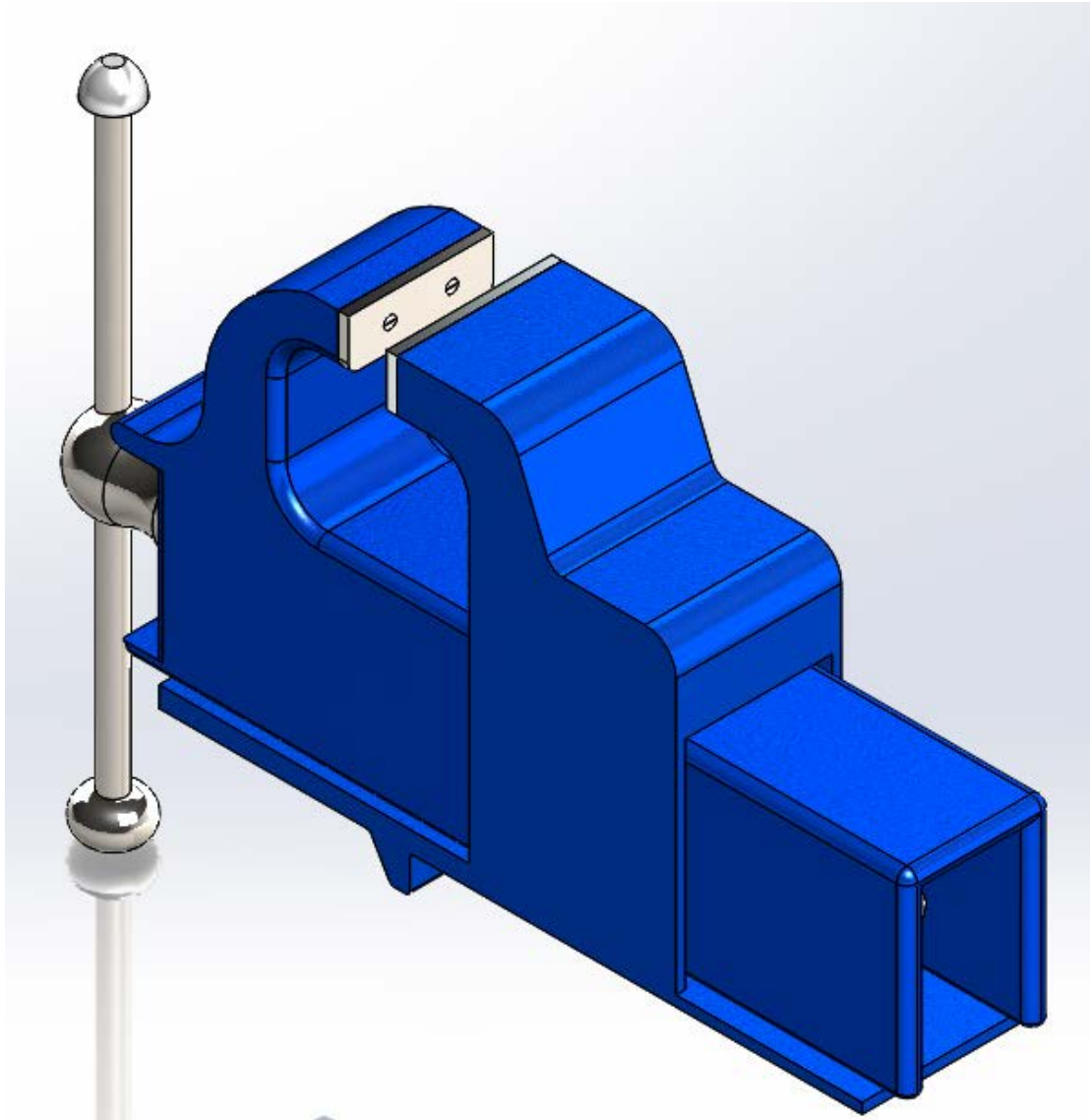
This assignment is evidence of P3,P4,M2 and D2Is technical drawings of each of the components that make up the bench vice.

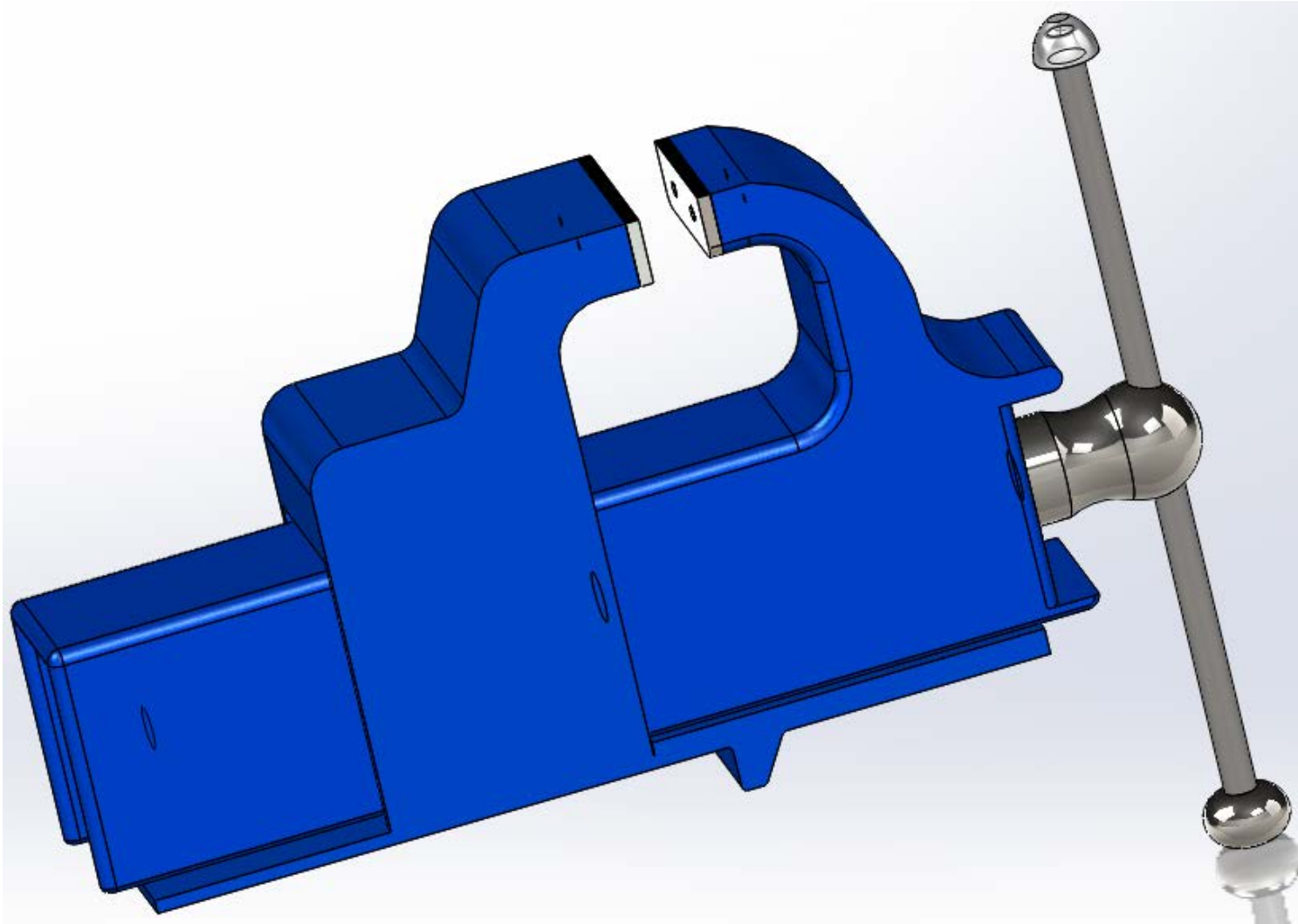
Criteria covered by this task:	
Unit/Criteria reference	To achieve the criteria you must show that you are able to:
10/B.D2	Refine, using accurate layers from a master layer, drawings to an international standard of an accurate and correctly orientated 2D assembled product that is fit for purpose.
10/B.M2	Produce, using accurate layers, drawings that mainly meet an international standard of an assembled product containing at least eight accurate and well orientated components.
10/B.P3	Create, using layers, drawings of at least six 2D components from an assembled product.
10/B.P4	Create a 2D assembly drawing containing at least six components, with at least two components well orientated.

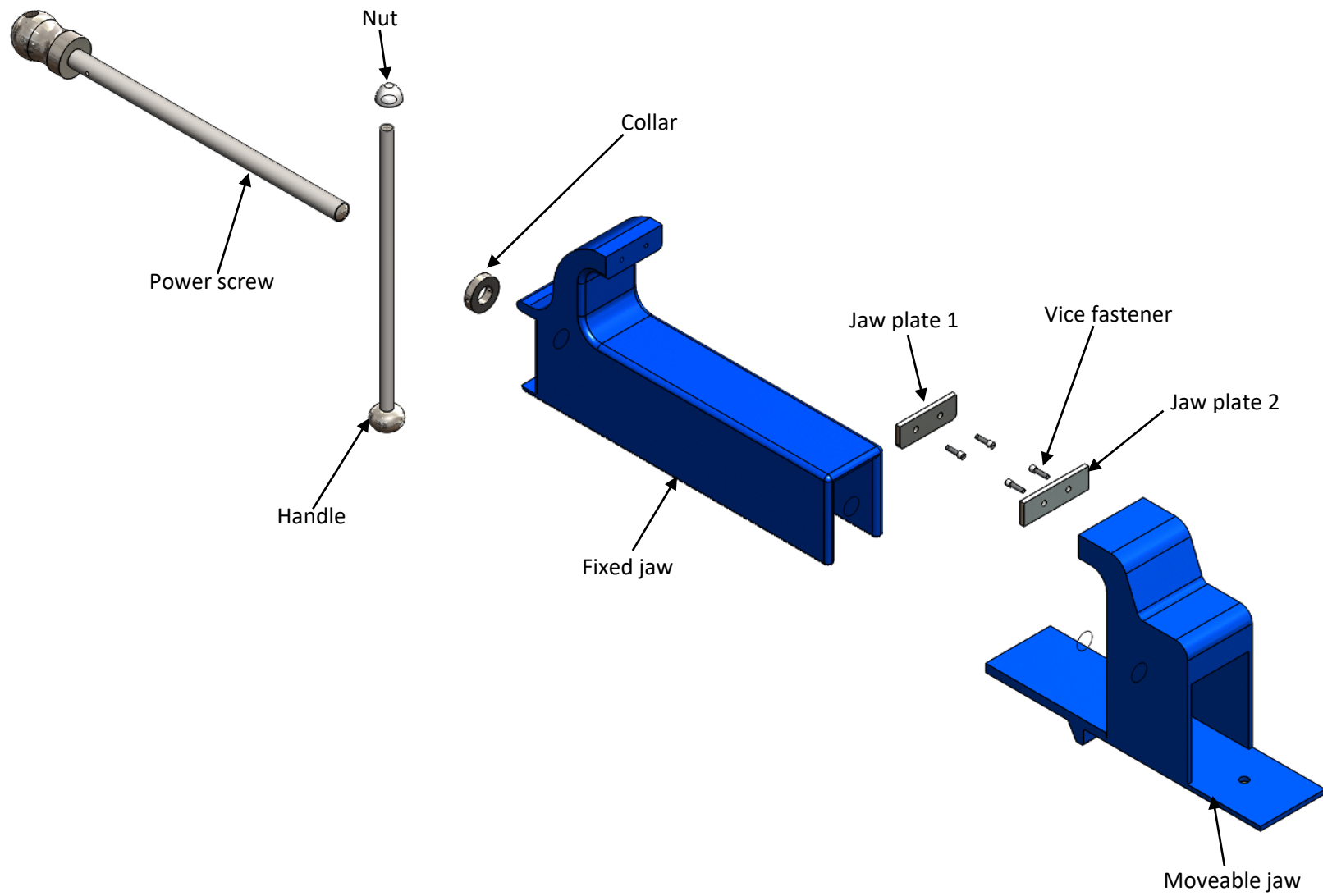
Create each of the 8 components including:

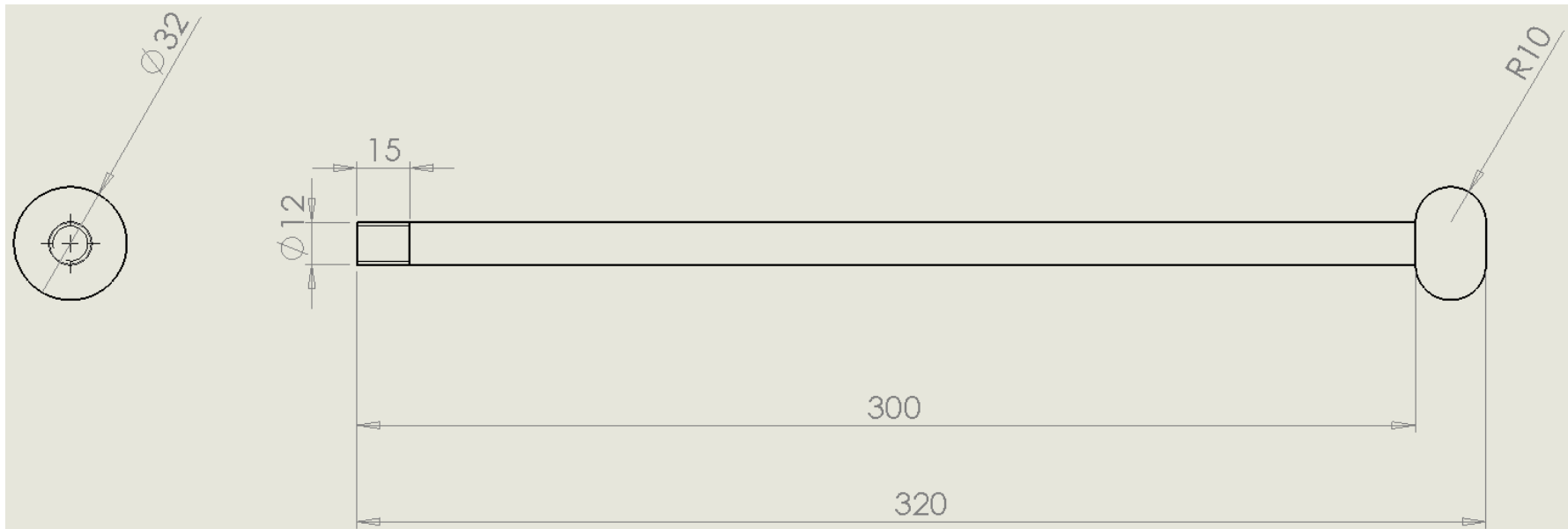
The components, an assembly and an exploded view with a cross sectional detail evidence of use of layering and line type using BS8888 standards.

There are three inaccuracies in the drawings that will need resolving and refinements making on the drawings to be able to provide enough detail for the items to be manufactured.





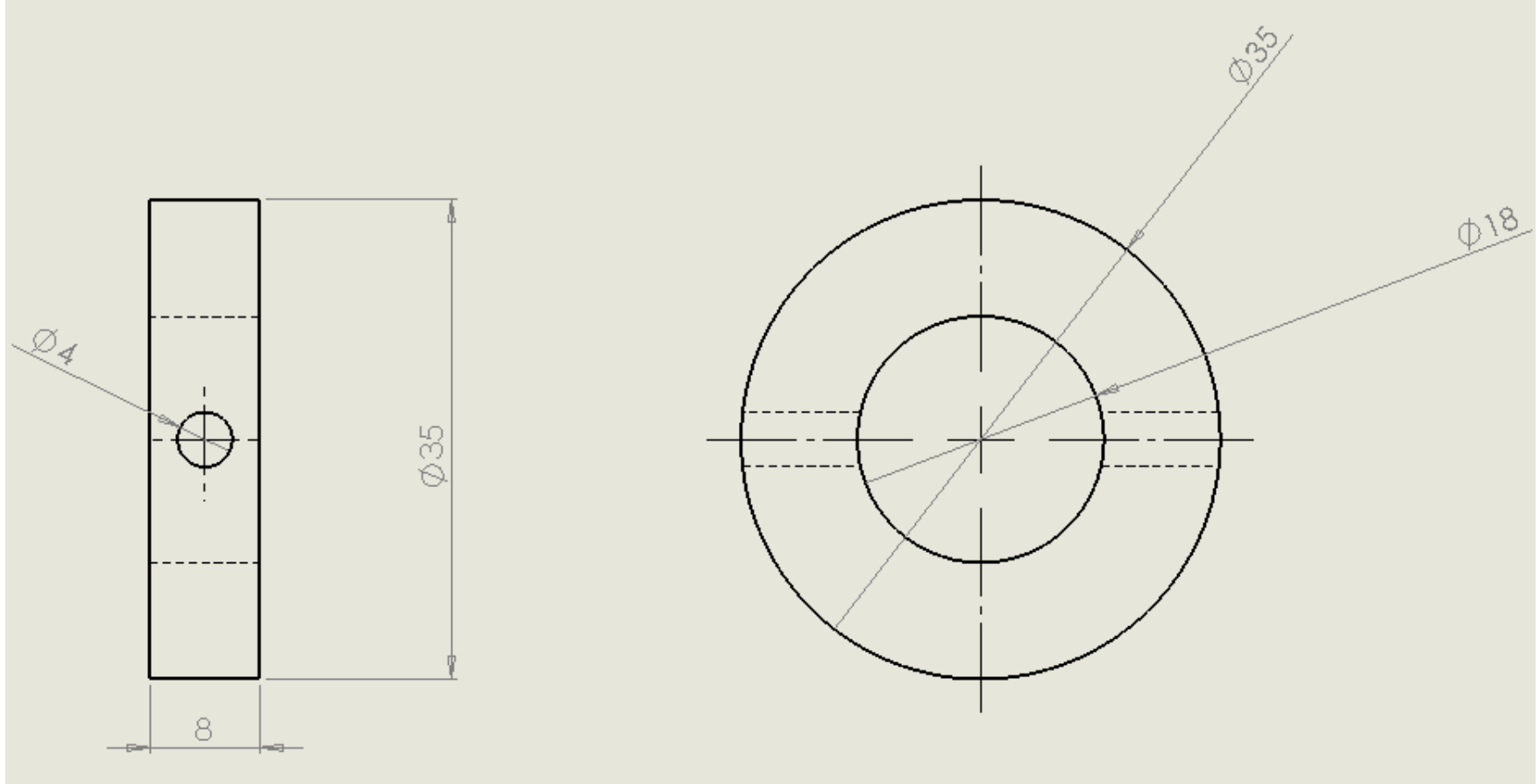


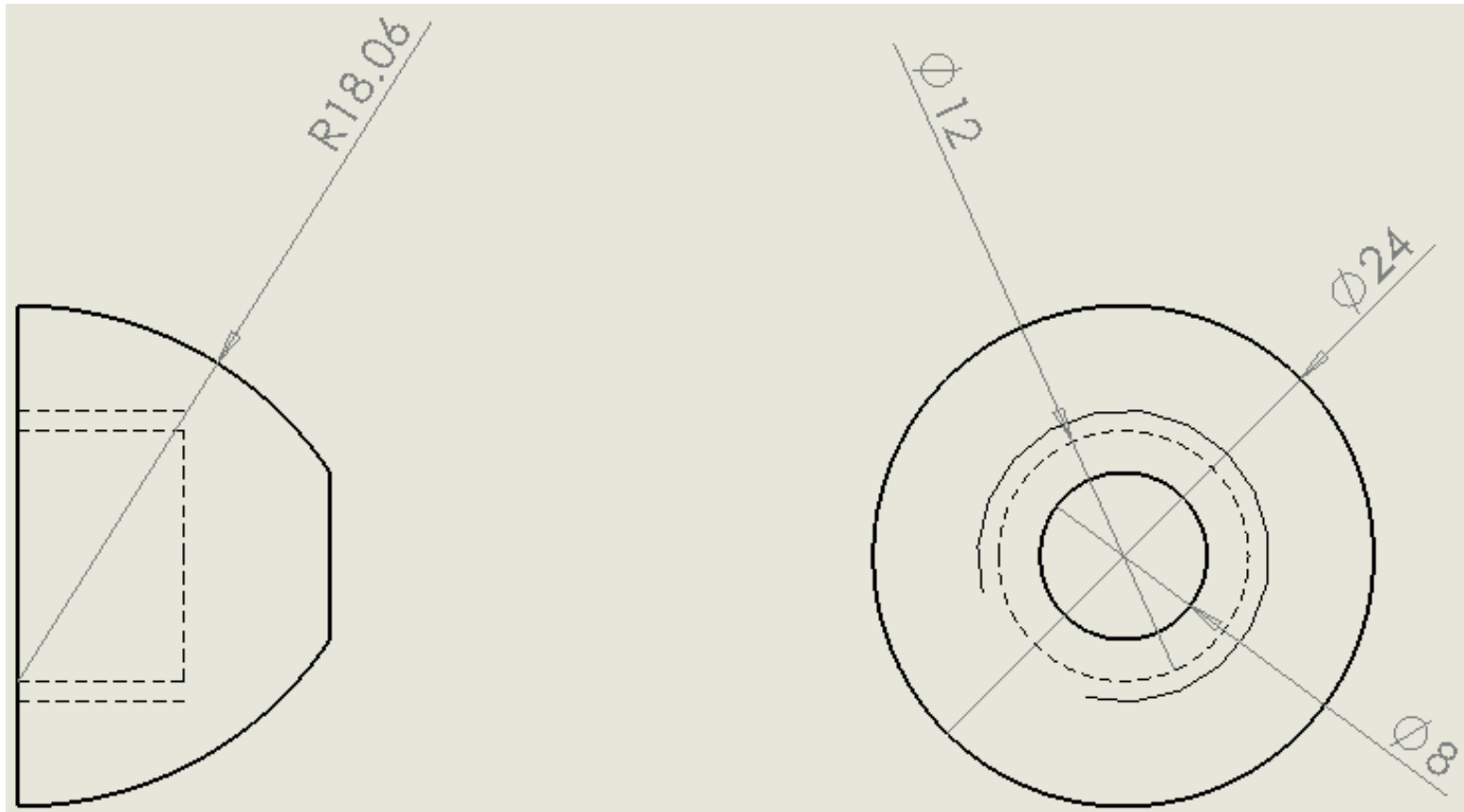


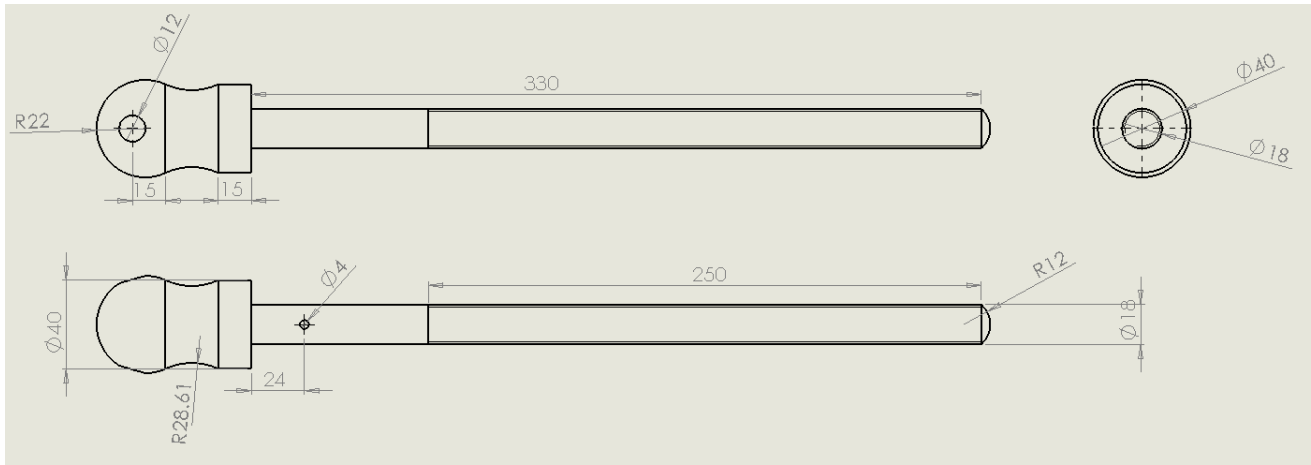
Use AUTOCAD to draw all of the parts in this document: @

T:\BTEC Engineering National KS5\Unit 10 CAD\Unit 10\Assignment worksheet

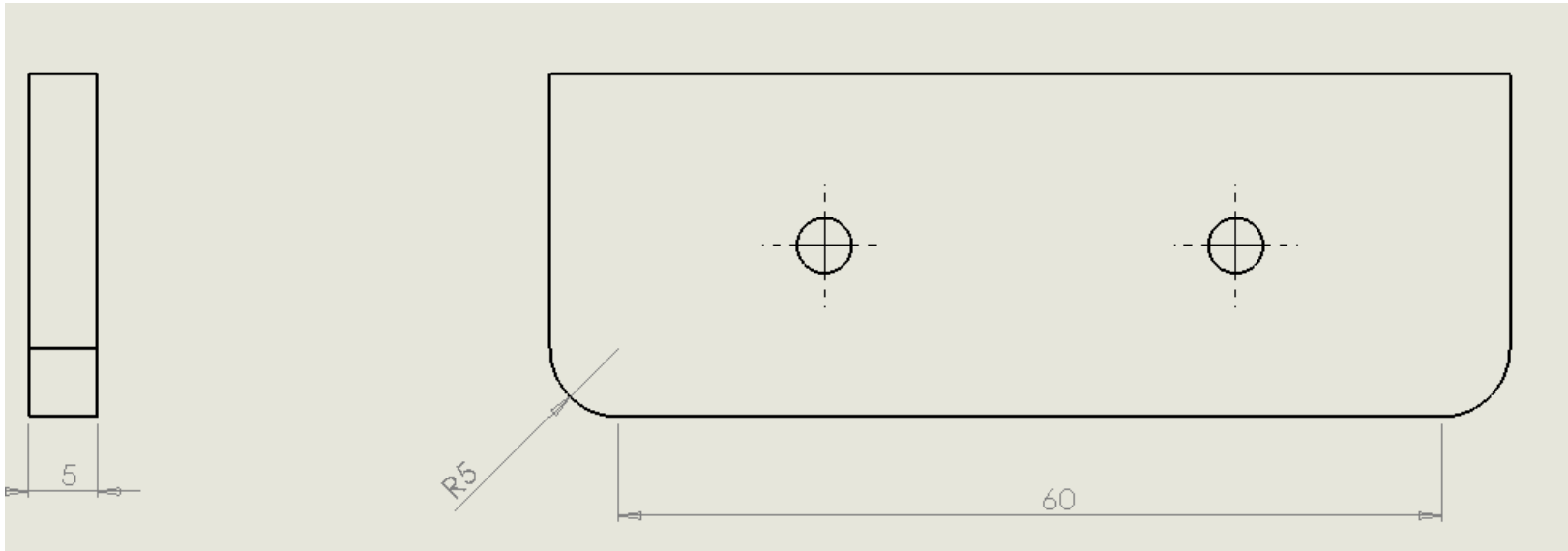
Bench vice

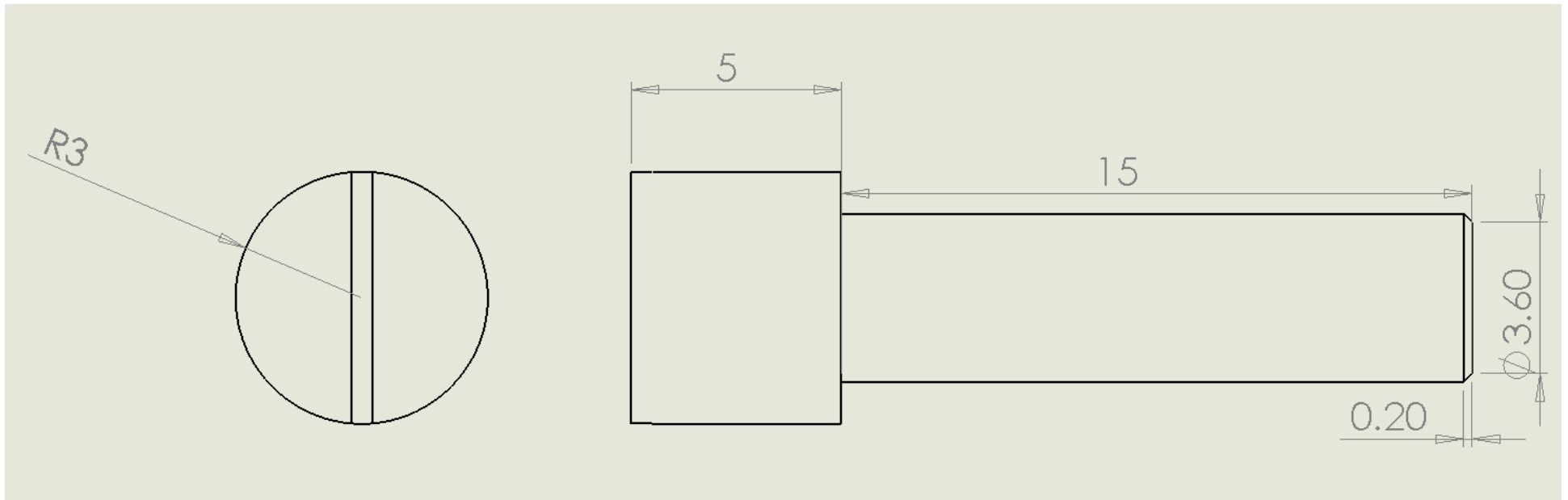






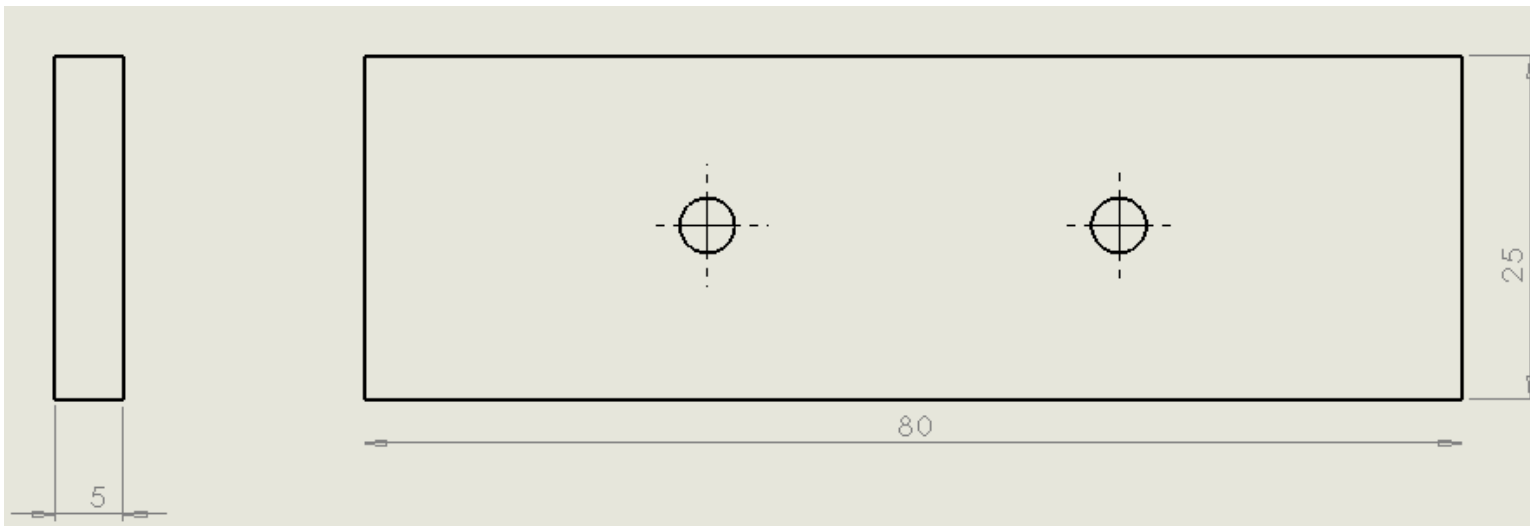
Please check the radius and diameters on this part and make suitable adjustments.



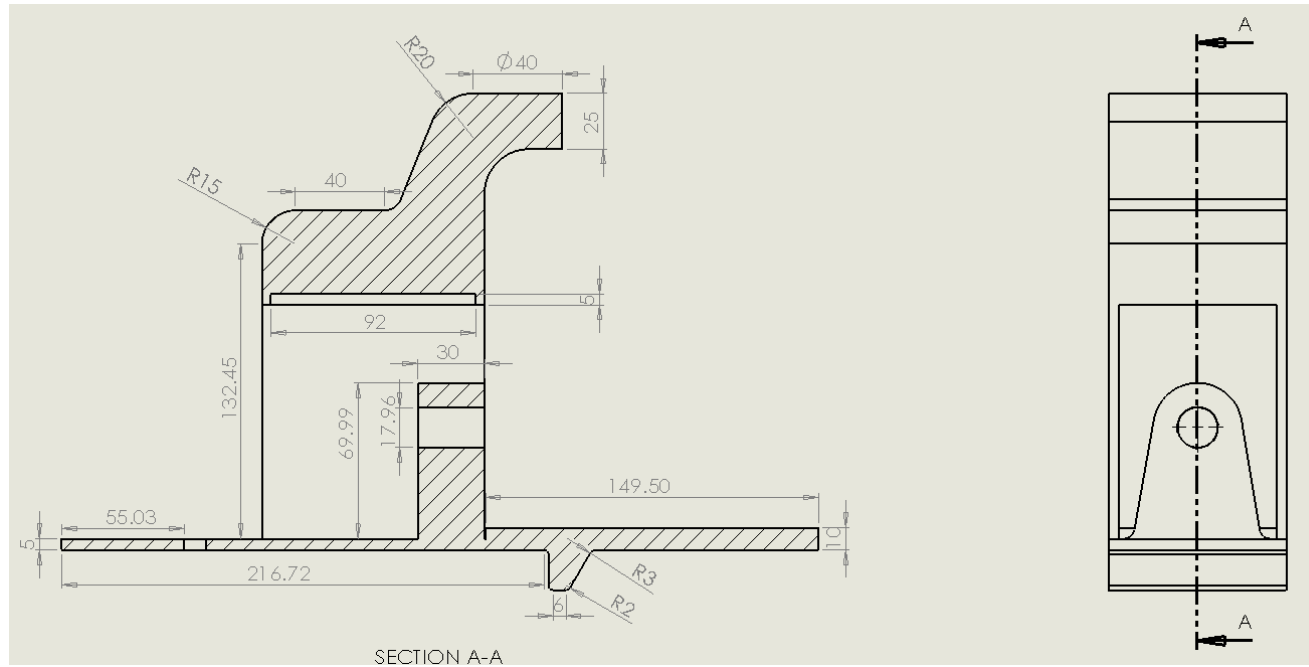


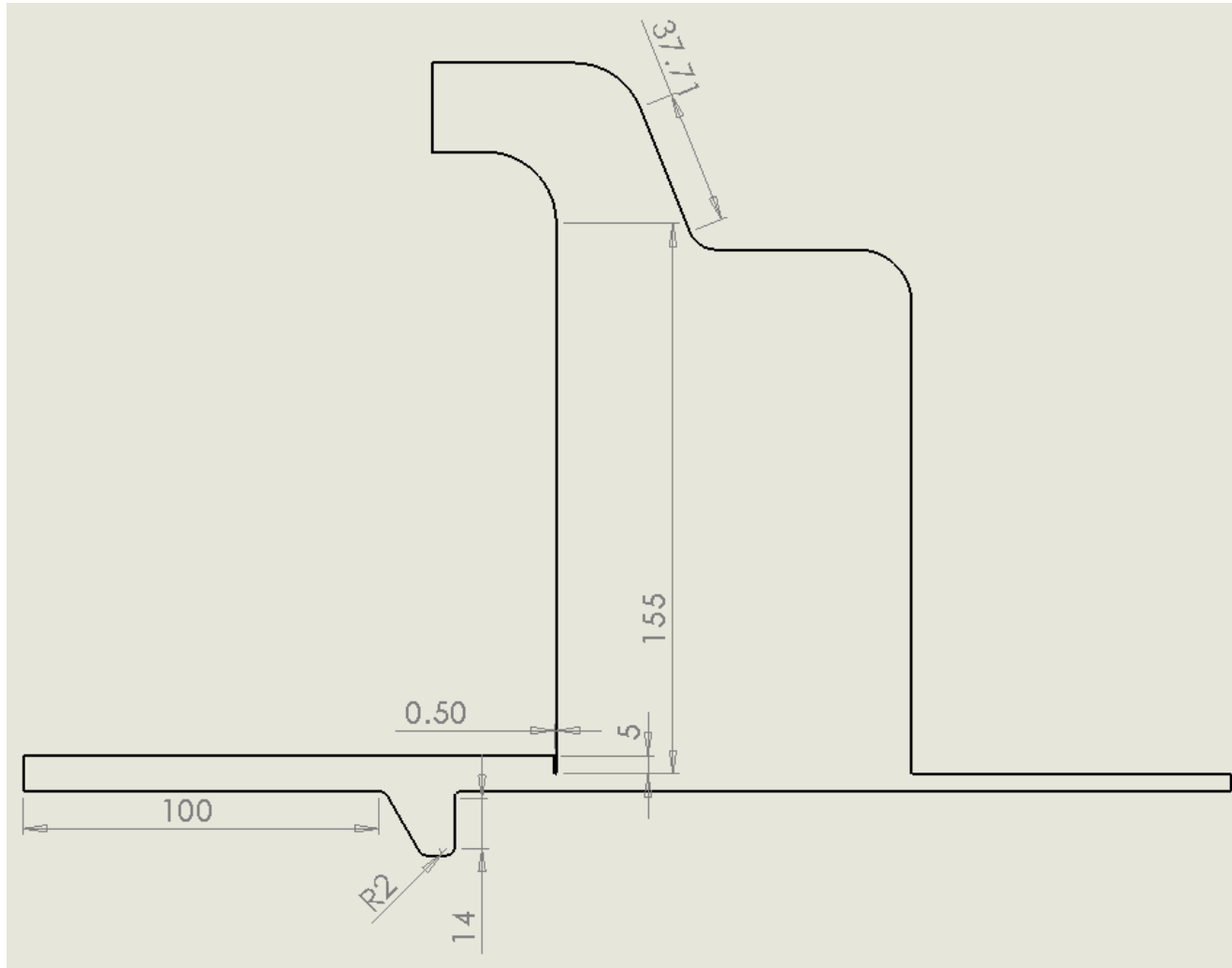
15MM EXTERNAL SCREW THREAD

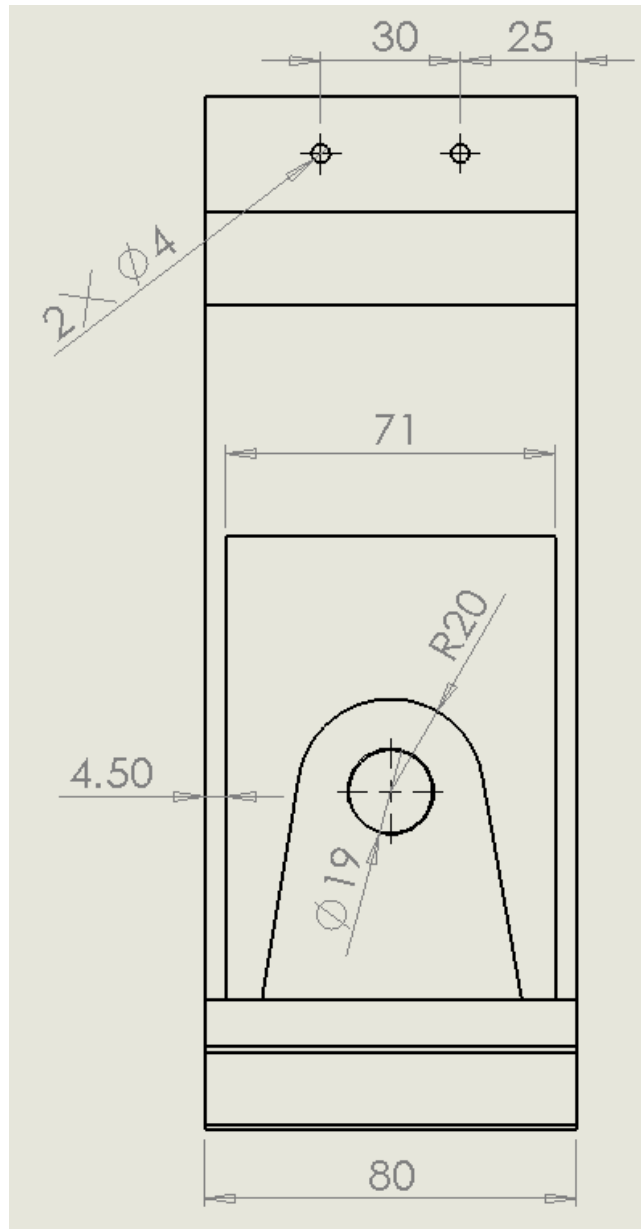
Check the holes alignments with the chuck head.

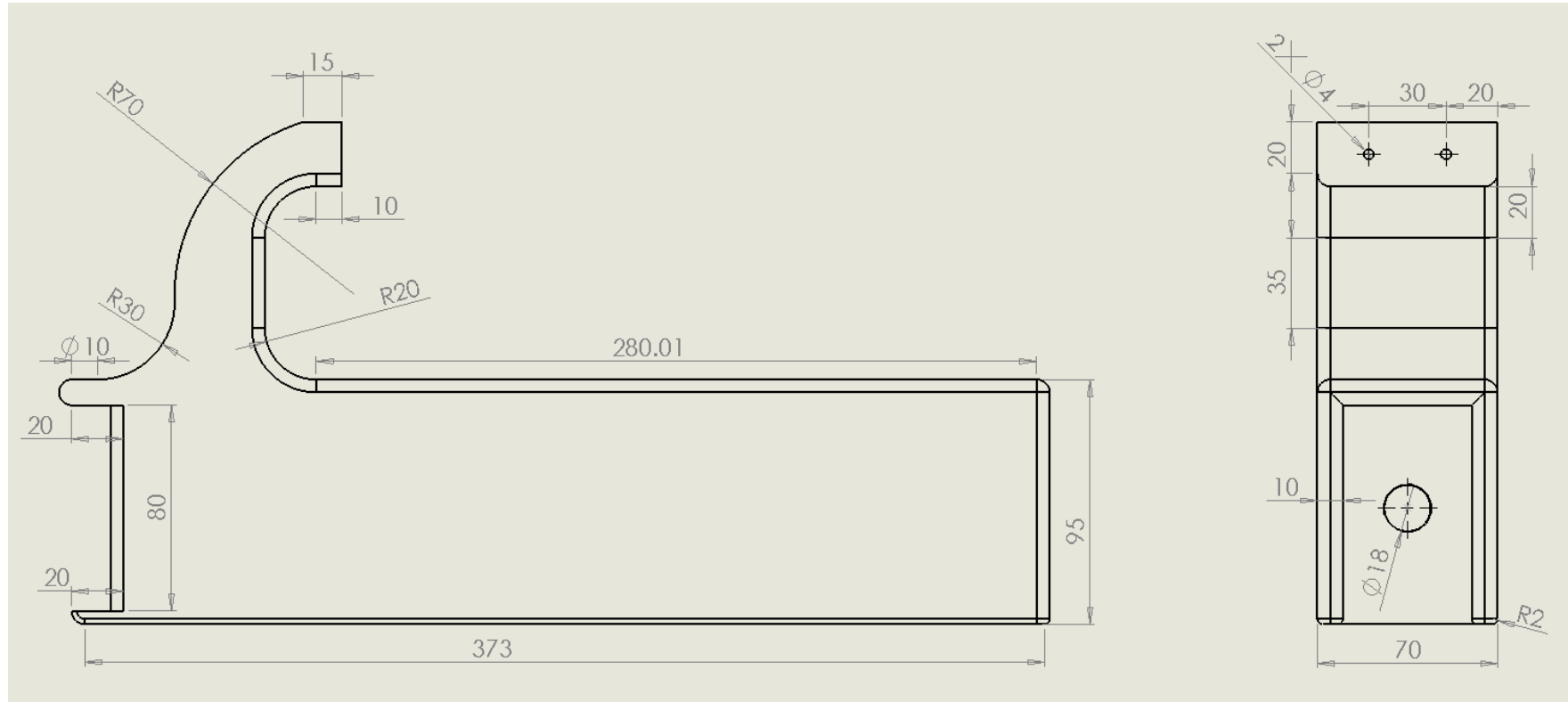


Looking at the drawing below there are some dimensions omitted, you will have to decipher / infer the missing dimensions to be able to display them on your drawing.









RADIUS 5MM UNLESS STATED