

Unit 10: Computer aided design in engineering

Hairdryer

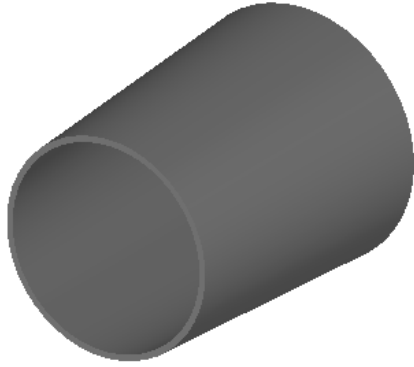
January 04th 2018

This assignment is evidence of P5, P6, M3 and D3

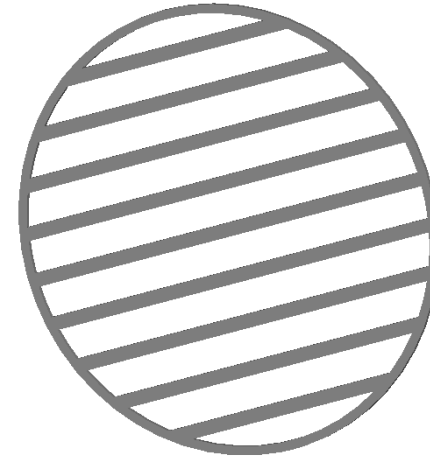




Technical components



Body front



Cover filter

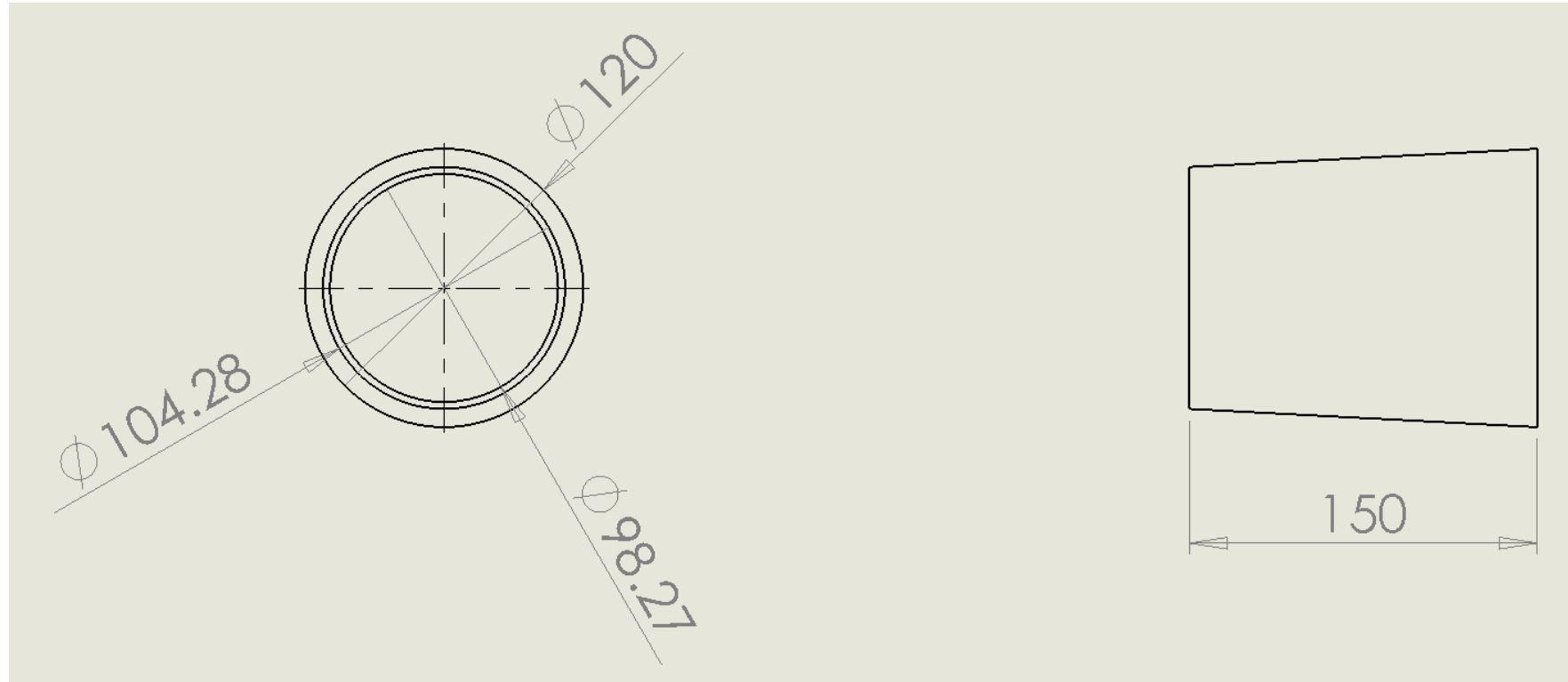


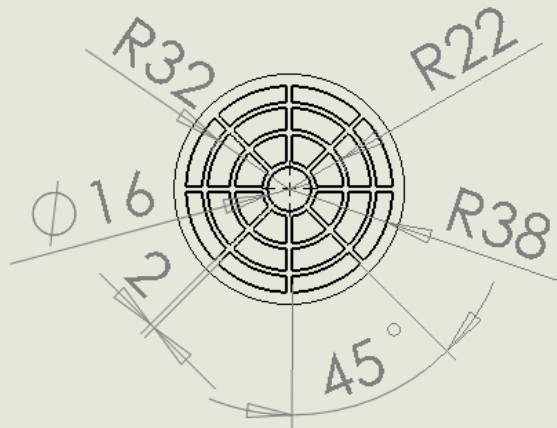
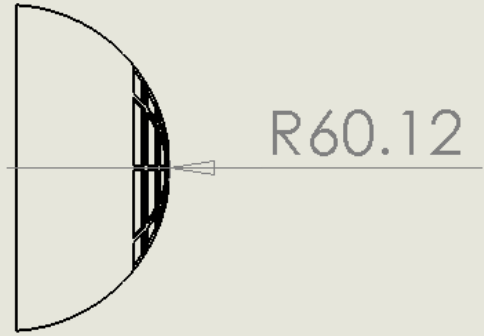
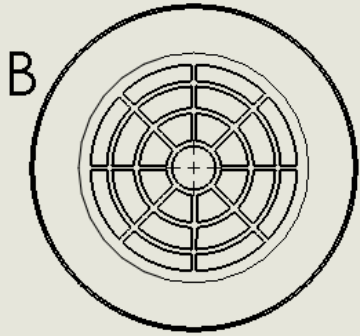
Handle



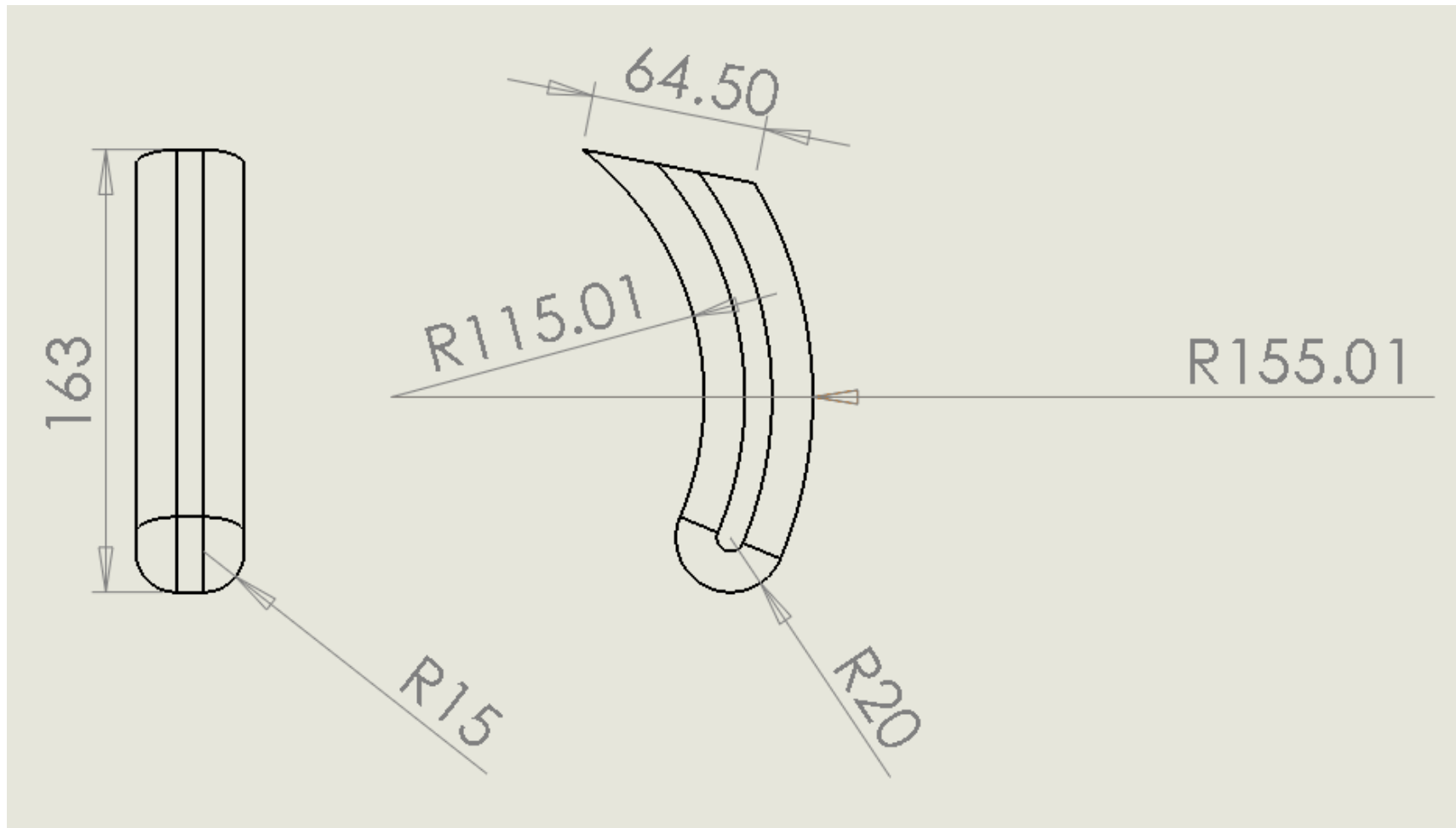
Body back

Dimensions





DETAIL B



THICKNESS 40MM

