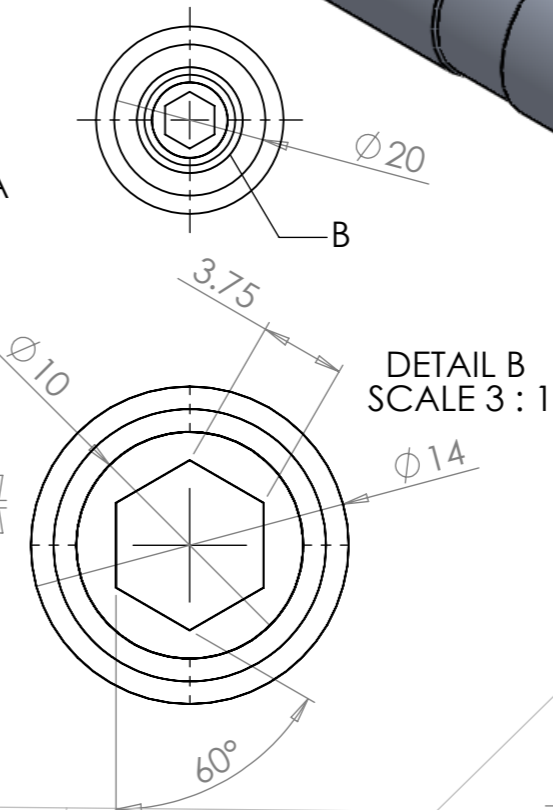
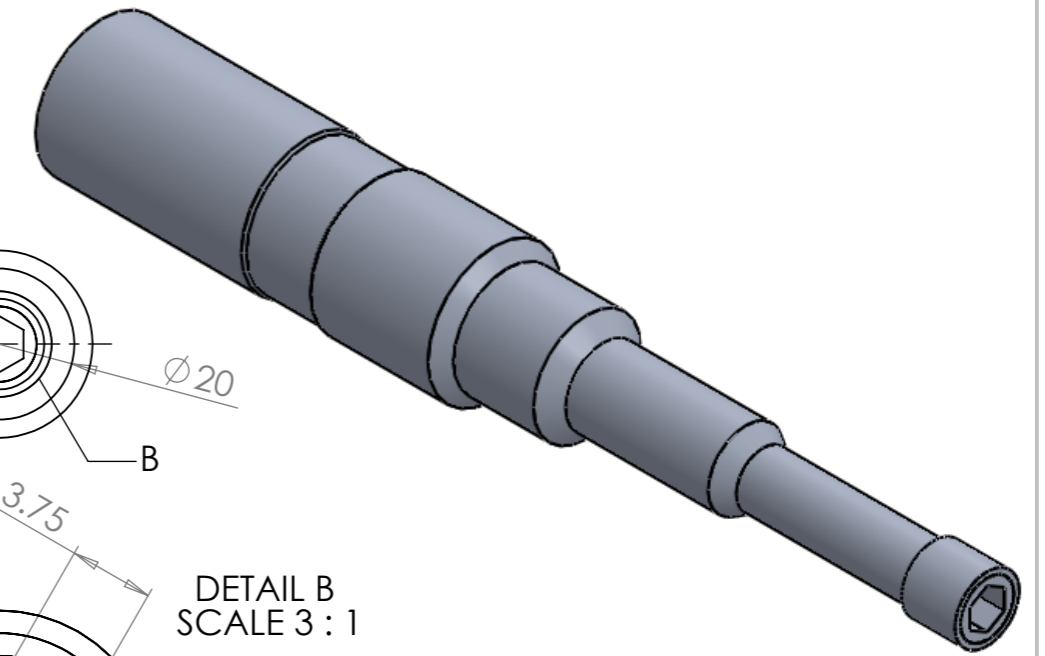
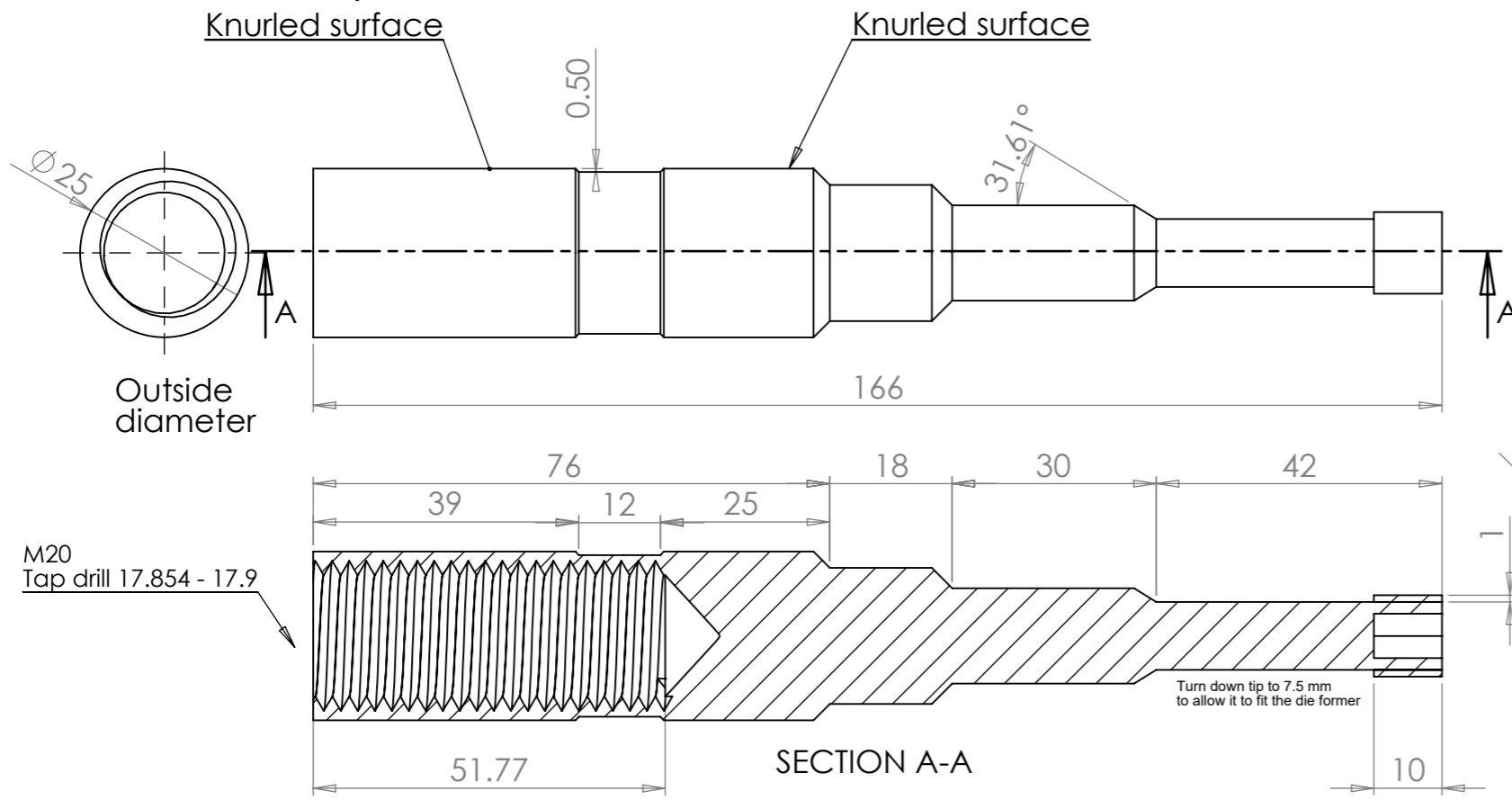
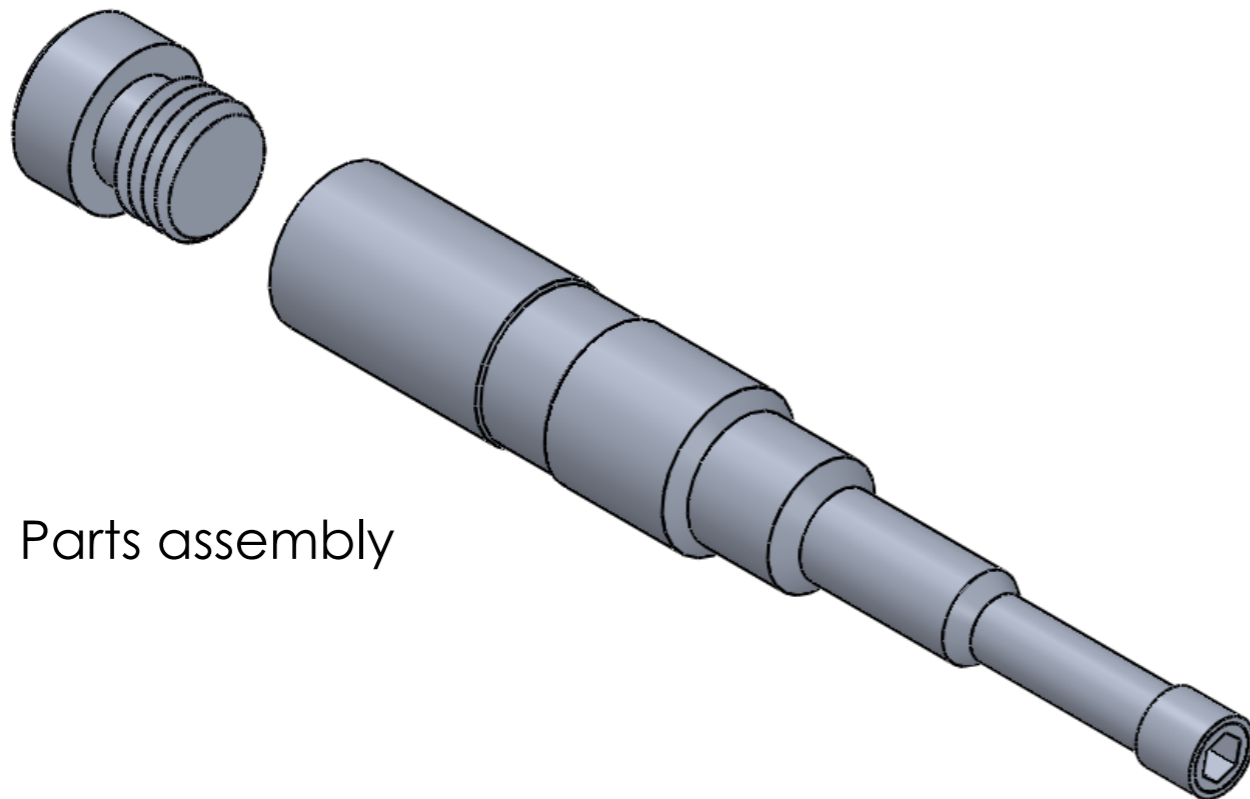
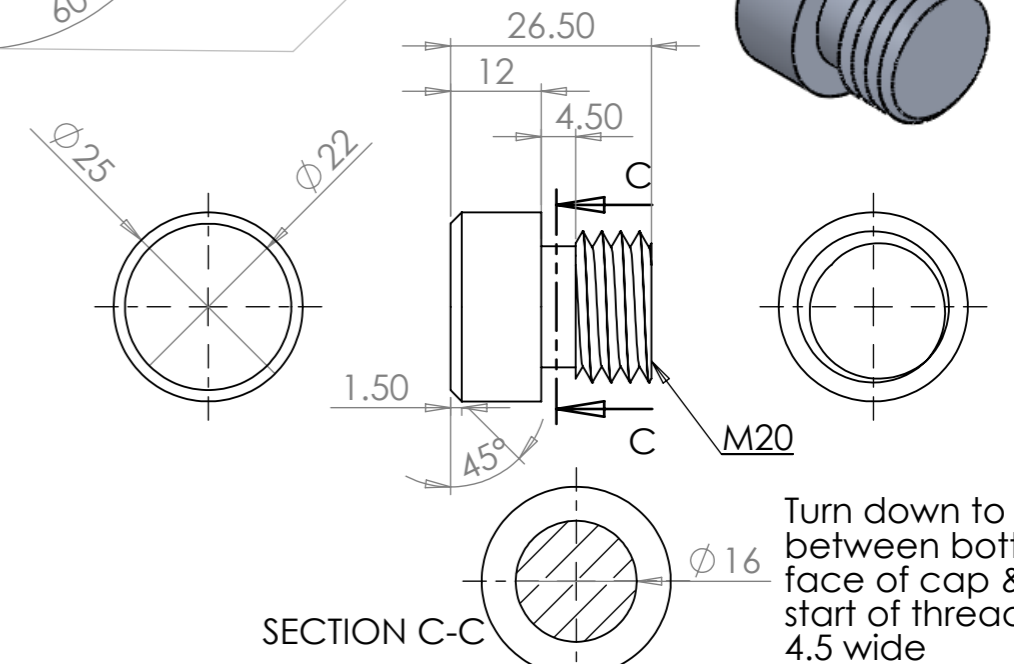
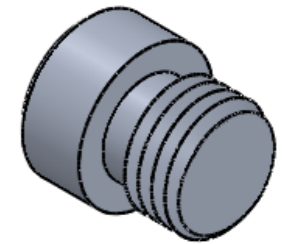


# Driver handle part 1



# Driver cap part 2



Parts assembly

UNLESS OTHERWISE SPECIFIED: DIMENSIONS ARE IN MILLIMETERS SURFACE FINISH: TOLERANCES: +/- 0.2 LINEAR: ANGULAR:				FINISH: <b>Knurled handle</b>	DEBUR AND BREAK SHARP EDGES	DO NOT SCALE DRAWING	REVISION 1
NAME	SIGNATURE	DATE				TITLE: <b>Screw driver 2</b>	
DRAWN J Kupper						DWG NO. 1	A3
CH'K'D							
APP'V'D							
MFG							
Q.A					MATERIAL: Aluminium		
					WEIGHT:	SCALE:1:1	SHEET 1 OF 1